



US00D941408S

(12) **United States Design Patent**
Jones

(10) **Patent No.:** **US D941,408 S**

(45) **Date of Patent:** **** *Jan. 18, 2022**

(54) **LOCKING BARBELL COLLAR WITH SIDE MAGNETS**

Primary Examiner — Khawaja Anwar

Assistant Examiner — Julice Seung Eun Oum

(74) *Attorney, Agent, or Firm* — Steven Rinehart

(71) Applicant: **Dylan Jones**, Santa Barbara, CA (US)

(72) Inventor: **Dylan Jones**, Santa Barbara, CA (US)

(57) **CLAIM**

(*) Notice: This patent is subject to a terminal disclaimer.

I claim the ornamental design for the locking barbell collar with side magnets, as shown and described.

(**) Term: **15 Years**

DESCRIPTION

(21) Appl. No.: **29/704,841**

(22) Filed: **Sep. 6, 2019**

(51) **LOC (13) Cl.** **21-02**

(52) **U.S. Cl.**
USPC **D21/694**

(58) **Field of Classification Search**
USPC D21/694, 681, 679, 839; D8/369, 331,
D8/399, 394; D13/152, 154; D6/682;
D23/265

(Continued)

FIG. 1 illustrates an isometric upper, forward, right side perspective view of locking barbell collar with side magnets in accordance with the present invention;

FIG. 2 illustrates an isometric upper, forward, left side perspective view of locking barbell collar with side magnets in accordance with the present invention;

FIG. 3 illustrates a lower perspective view of locking barbell collar with side magnets in accordance with the present invention;

FIG. 4 illustrates a left side perspective view of locking barbell collar with side magnets in accordance with the present invention;

FIG. 5 illustrates a right side perspective view of locking barbell collar with side magnets in accordance with the present invention;

FIG. 6 illustrates an upper perspective view of locking barbell collar with side magnets in accordance with the present invention;

FIG. 7 illustrates a forward perspective view of locking barbell collar with side magnets in accordance with the present invention;

FIG. 8 illustrates a rearward perspective view of locking barbell collar with side magnets in accordance with the present invention; and,

FIG. 9 illustrates an environmental right forward perspective view of locking barbell collar with side magnets in accordance with the present invention.

The broken lines are for the purpose of illustrating the environment of a skid-steer pallet fork only and form no part of the claimed design.

(56) **References Cited**

U.S. PATENT DOCUMENTS

D142,834 S * 11/1945 Campbell D23/265
2,775,806 A * 1/1957 Love F16L 23/06
24/271

(Continued)

FOREIGN PATENT DOCUMENTS

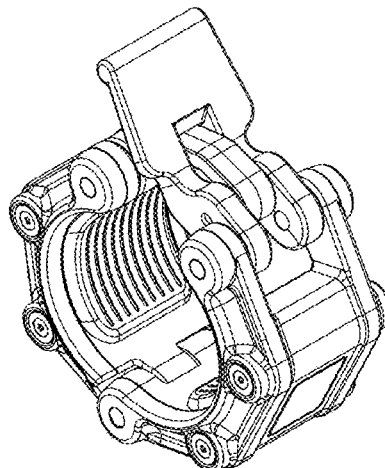
CA 174030 * 6/2018
CA 176495 * 6/2018

OTHER PUBLICATIONS

Greententljs barbell release locking, announced 2016 [online]. [site visited Mar. 16, 2021]. Available on internet, URL: https://www.amazon.com/Greententljs-Barbell-Olympic-Release-Locking/dp/B01L8X02U0/ref=sr_1_1?dchild=1&keywords=greententljs&qid=1615902539&sr=8-1 (Year: 2016).*

(Continued)

1 Claim, 9 Drawing Sheets



US D941,408 S

Page 2

(58) **Field of Classification Search**

CPC E05B 47/0012; A63B 21/0728; G06F
17/30362; G06F 9/526

See application file for complete search history.

(56) **References Cited**

U.S. PATENT DOCUMENTS

5,295,933 A * 3/1994 Ciminski A63B 21/0728
24/270
7,513,856 B2 4/2009 Jones
D629,080 S * 12/2010 Dole D23/262
D672,229 S * 12/2012 Reid D8/396
D708,053 S * 7/2014 Marini D8/396
D764,608 S 8/2016 Jones
D766,384 S * 9/2016 Jones D21/694
D780,860 S * 3/2017 Jones D21/694
D780,861 S * 3/2017 Jones D21/694
D850,247 S * 6/2019 Sillitoe D8/394
D865,881 S * 11/2019 Muir D21/694
D895,745 S * 9/2020 Jones D21/694
D897,195 S * 9/2020 Fleck D8/394
D905,805 S * 12/2020 Muir D21/694

2007/0138351 A1* 6/2007 Wu F16L 23/06
248/74.2
2008/0265568 A1* 10/2008 Bekkevold F16L 23/08
285/148.6
2008/0287271 A1* 11/2008 Jones F16B 2/185
482/107
2012/0256415 A1* 10/2012 Dole F16L 21/005
285/337
2013/0133943 A1* 5/2013 Smith H01R 4/64
174/665
2013/0249212 A1* 9/2013 McKiernan F16L 23/04
285/407
2020/0171339 A1* 6/2020 Jones A63B 21/0728

OTHER PUBLICATIONS

Anderson metal connector, announced 2005 [online]. [site visited
Mar. 16, 2021]. Available on internet, URL:https://www.amazon.com/Anderson-Metals-Garden-Fitting-Connector/dp/B000FPAPM8/ref=sr_1_66?dchild=1&keywords=pipe+and+plumbing+coupling&qid=1615903704&sr=8-66 (Year: 2005).*

* cited by examiner

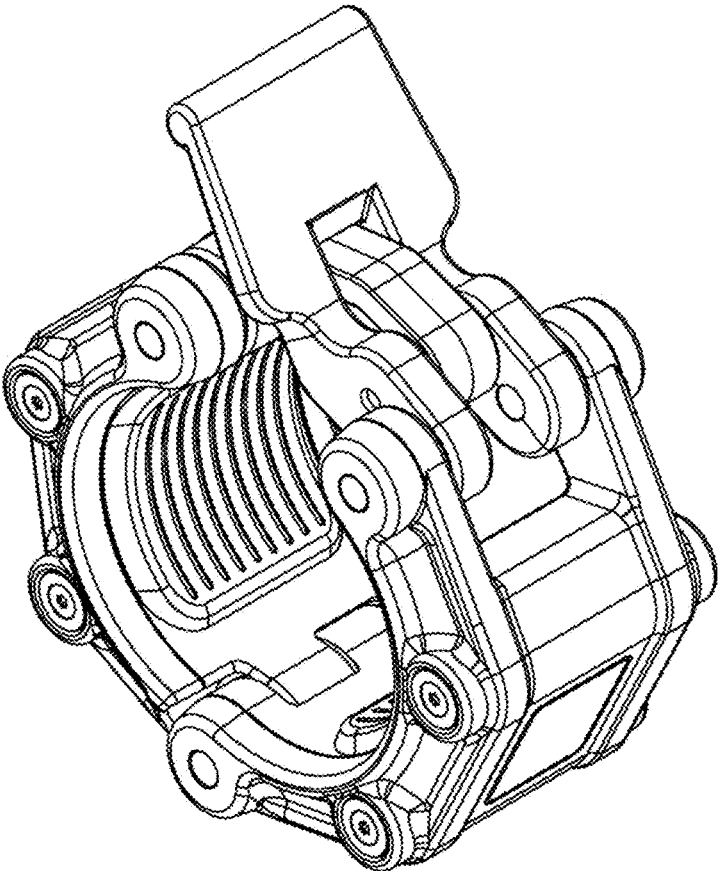


FIG. 1

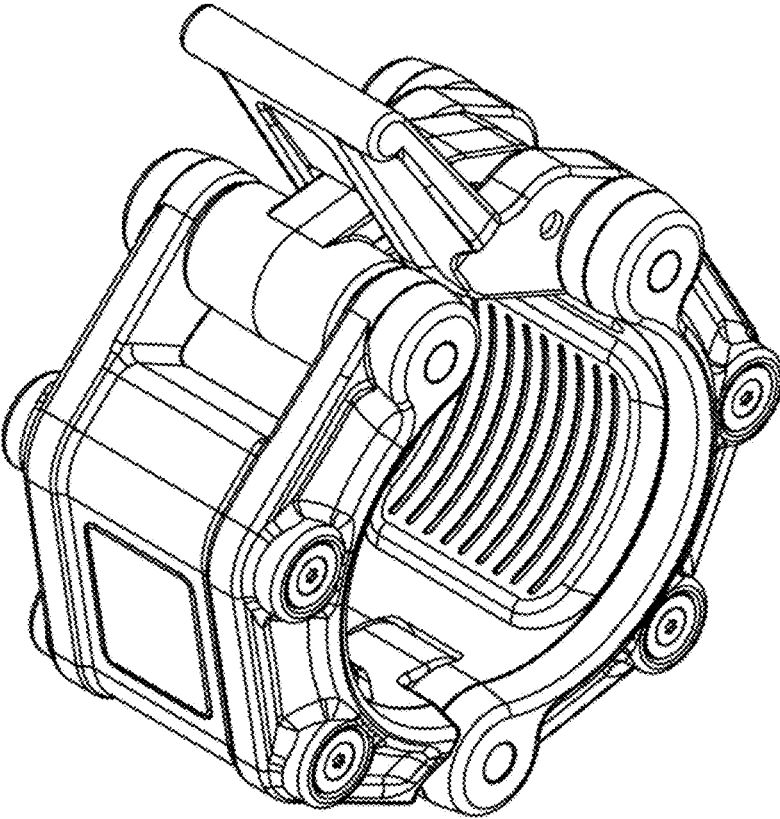


FIG. 2

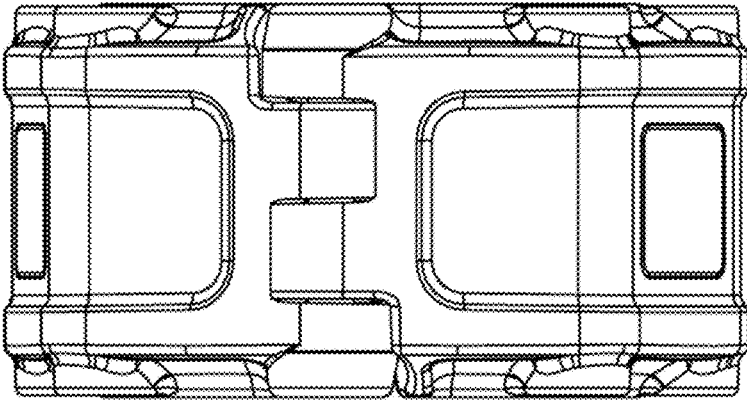


FIG. 3

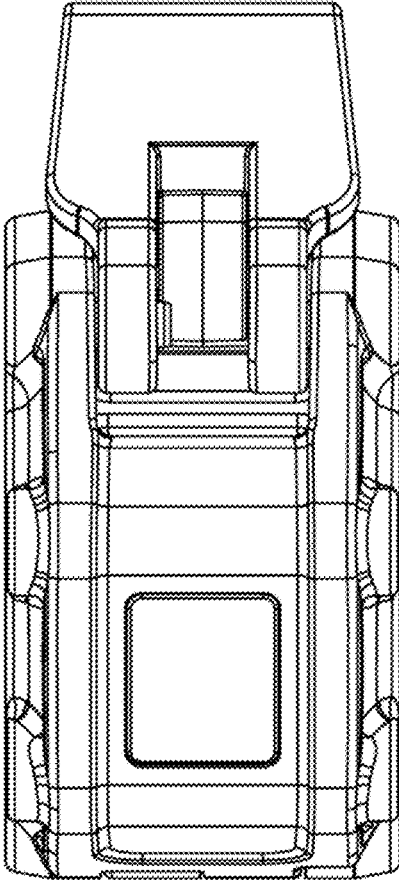


FIG. 4

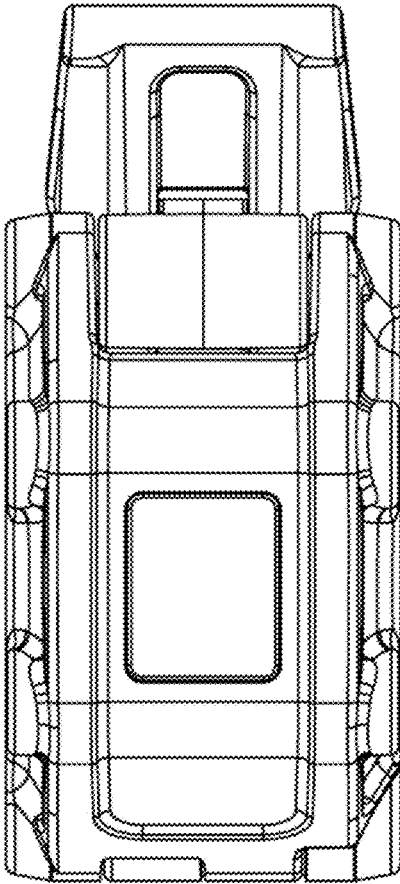


FIG. 5

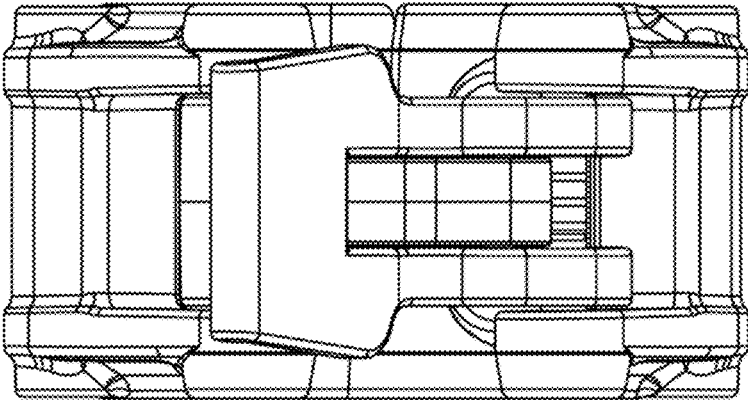


FIG. 6

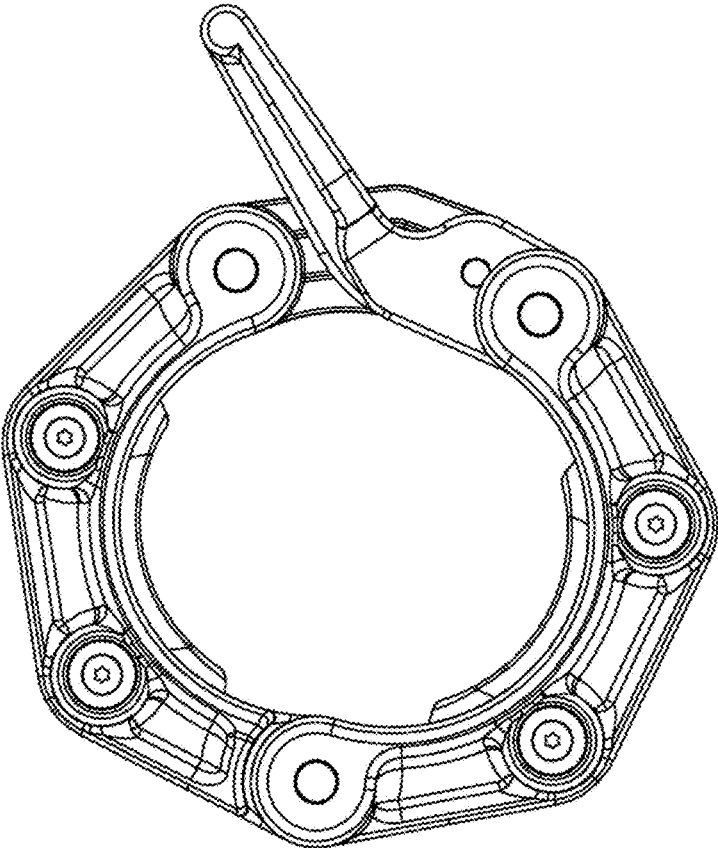


FIG. 7

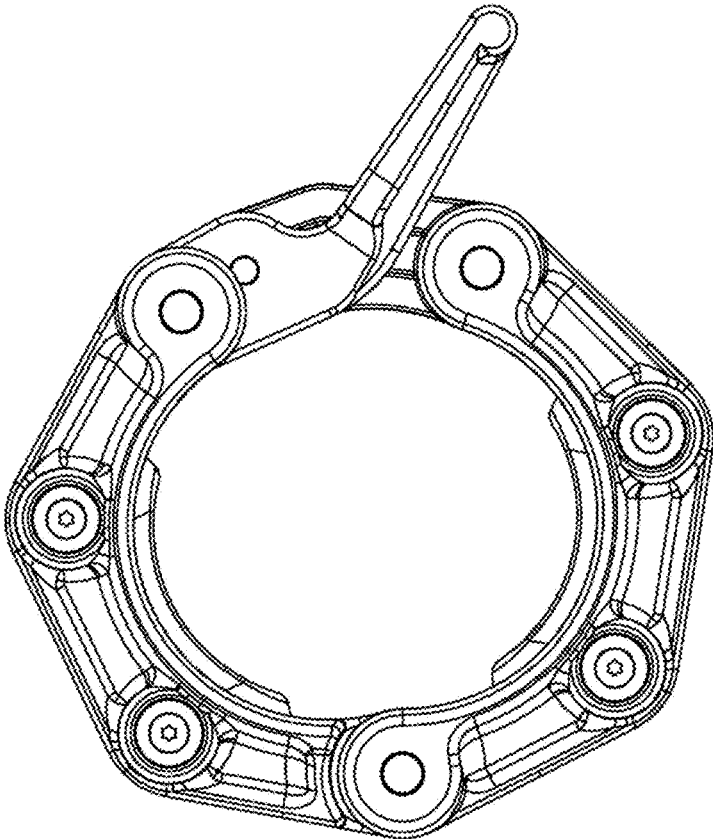


FIG. 8

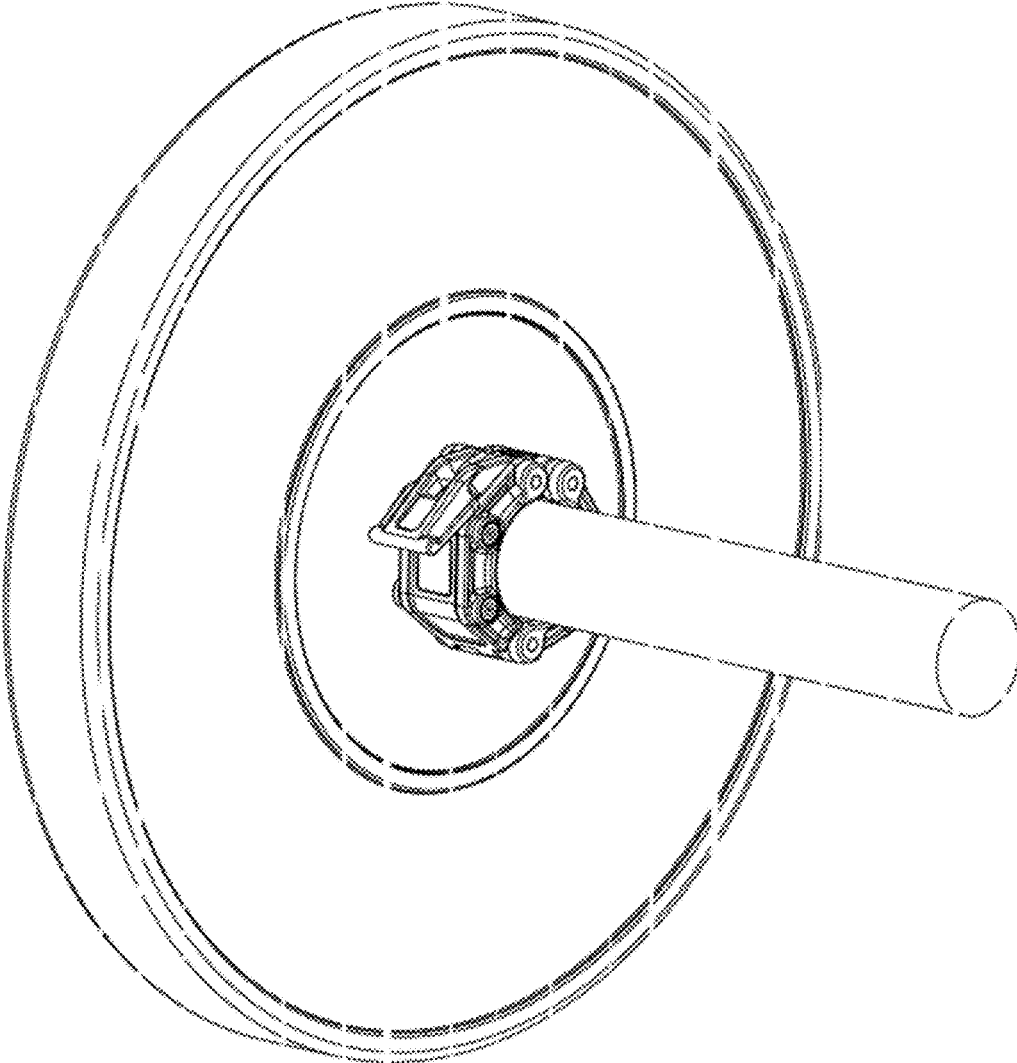


FIG. 9